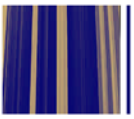


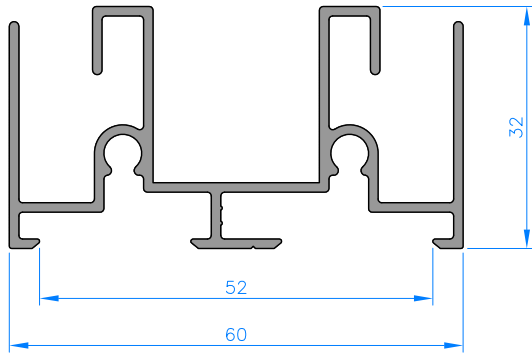


Profiles

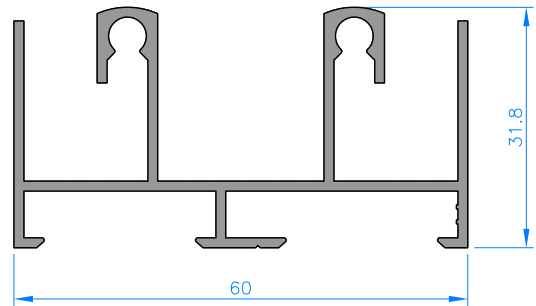
Perfiles



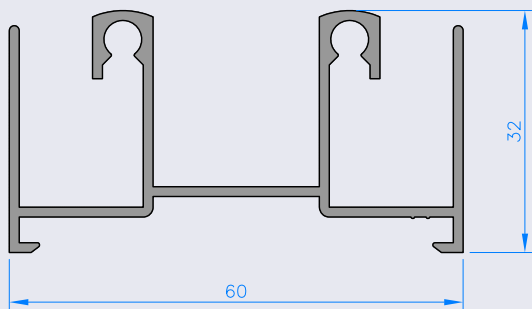
Profiles - *Perfiles*



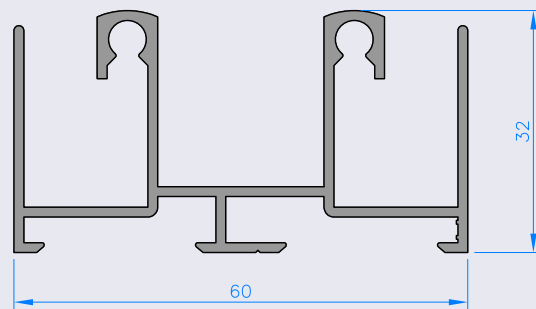
230010



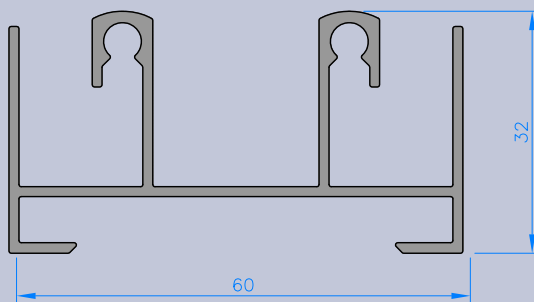
230011



230012

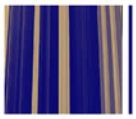


230013

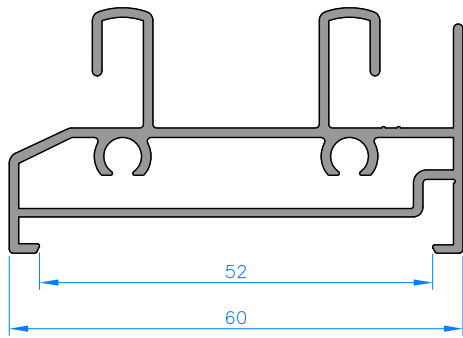


230014 *

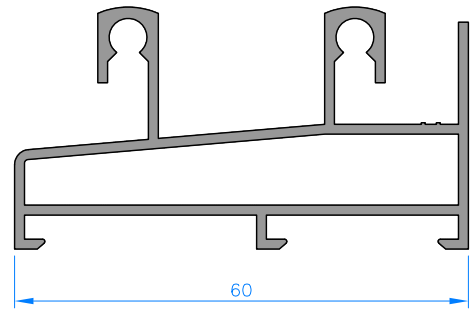
* Consultar existencias o pedido mínimo



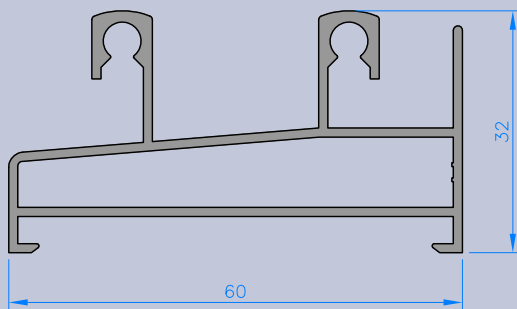
Profiles - *Perfiles*



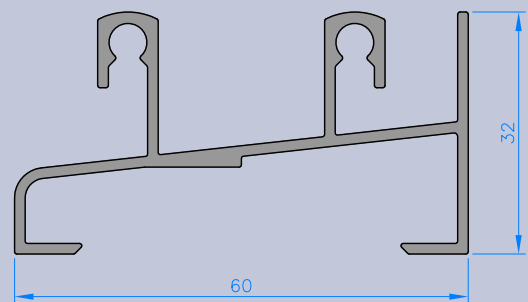
230020



230021

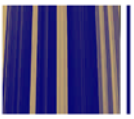


230022

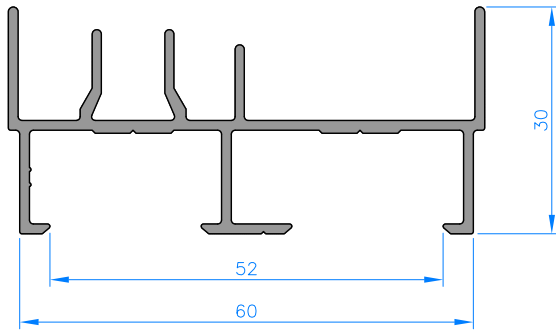


230023*

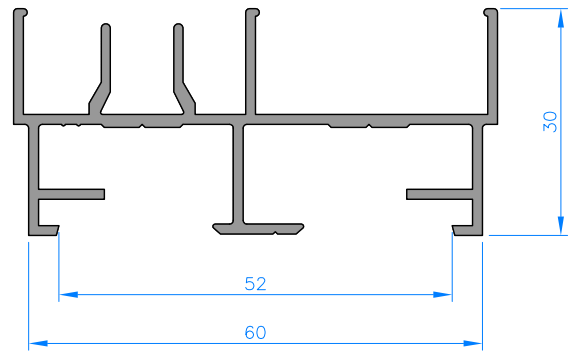
* Consultar existencias o pedido mínimo



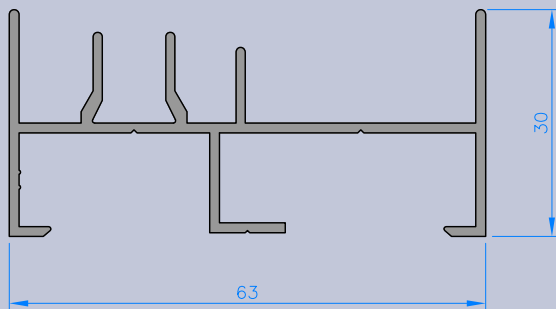
Profiles - *Perfiles*



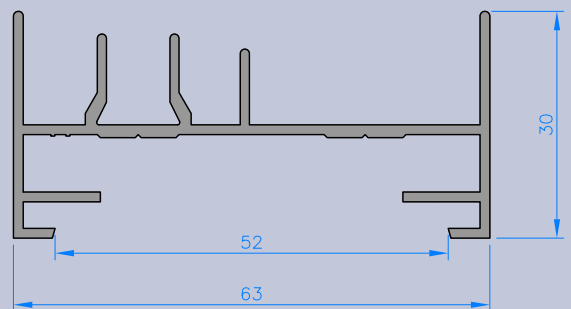
230030



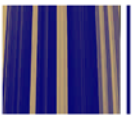
230031



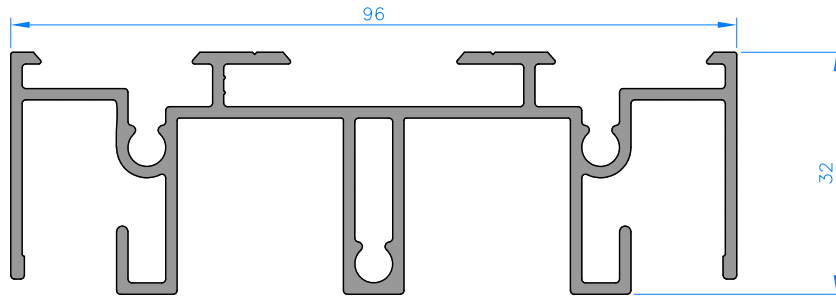
230032



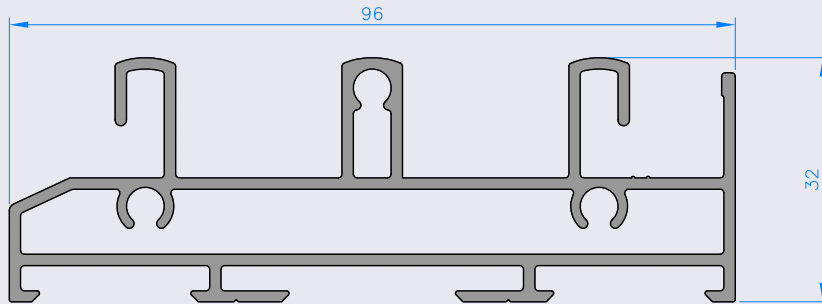
230033



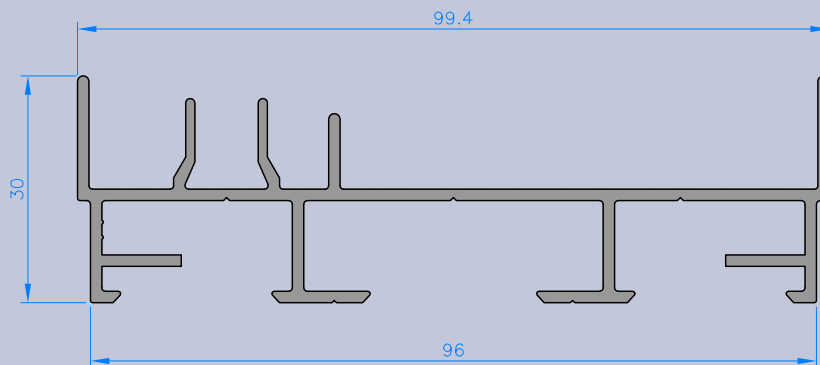
Profiles - *Perfiles*



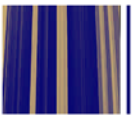
230310



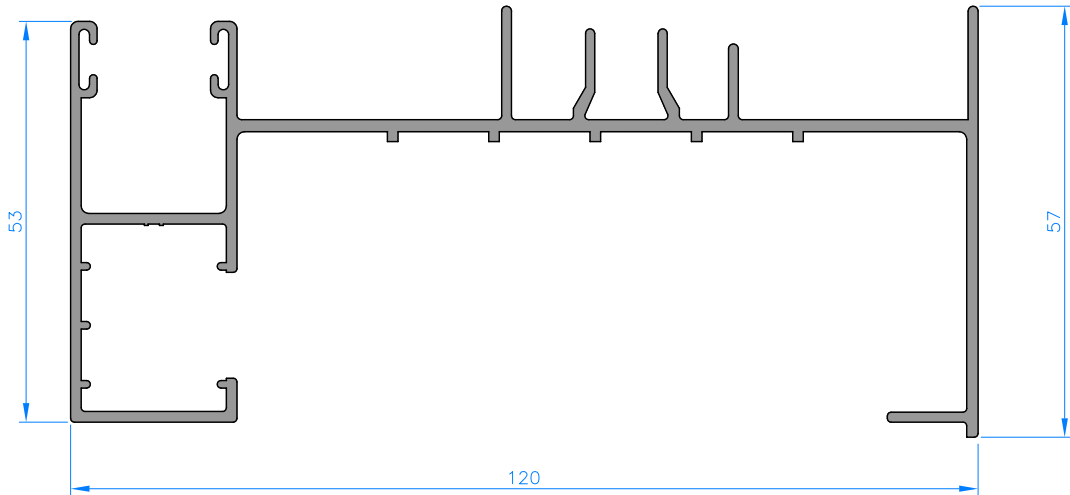
230320



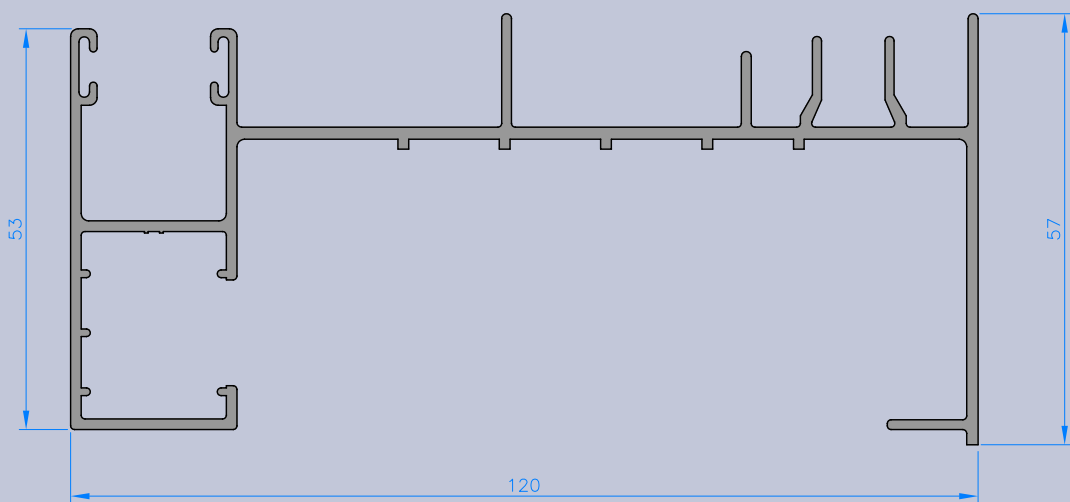
230330



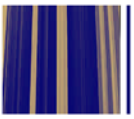
Profiles - *Perfiles*



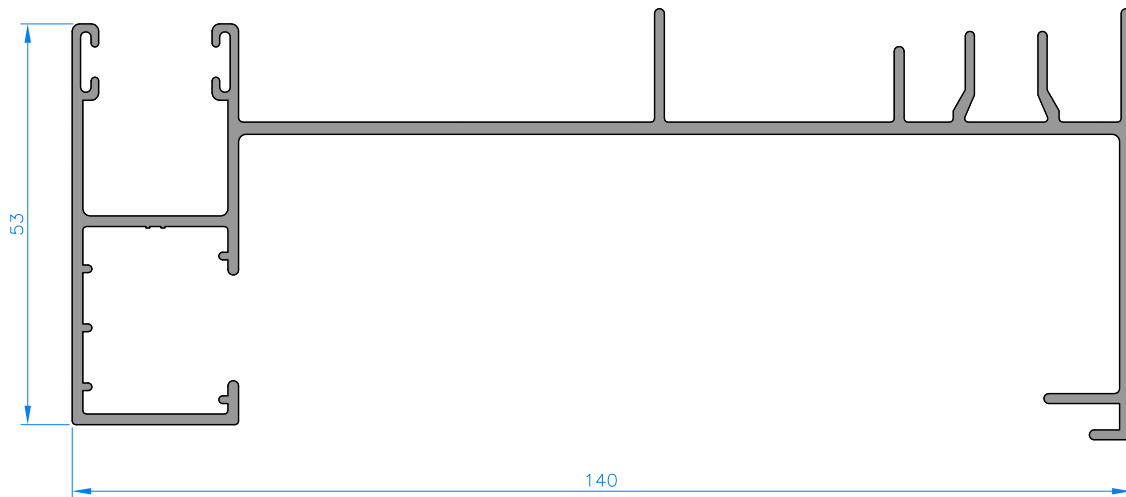
231231



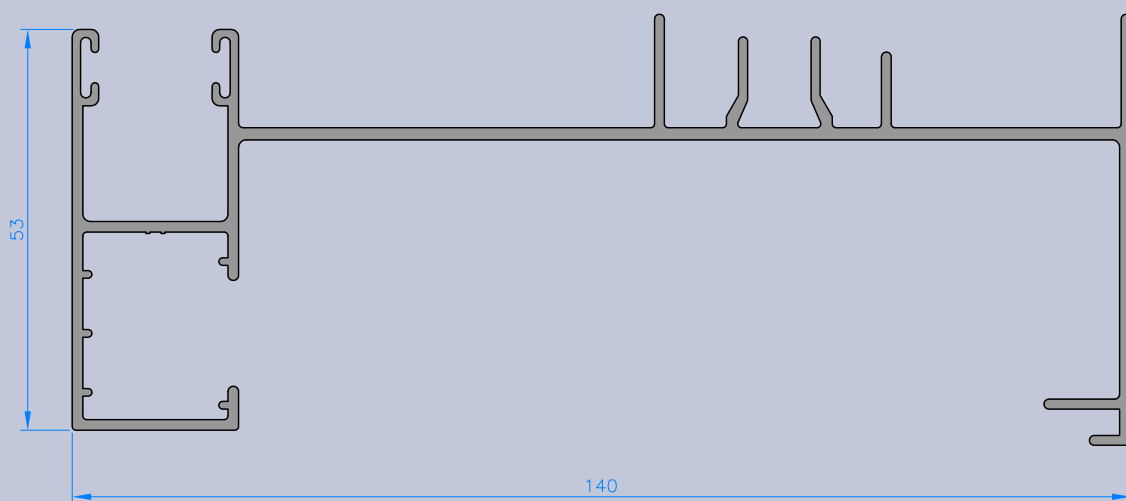
231232



Profiles - *Perfiles*

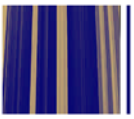


231431*

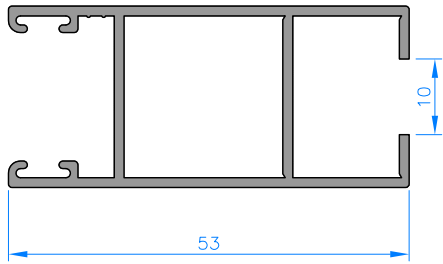


231432*

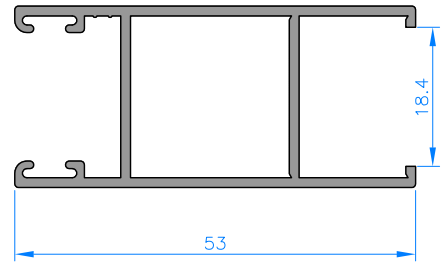
* Consultar existencias o pedido mínimo



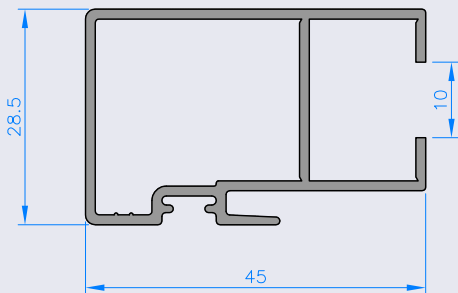
Profiles - Perfiles



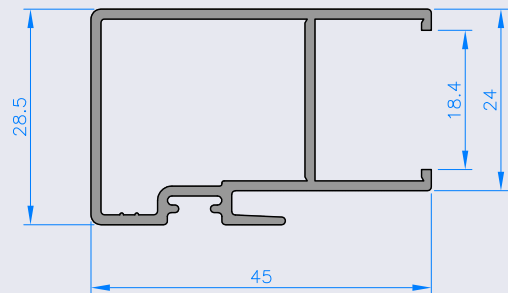
230040



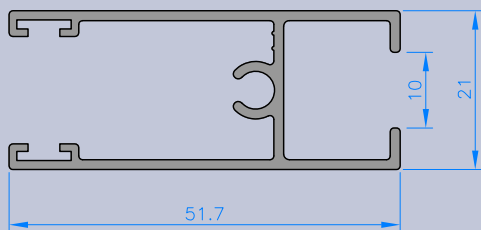
230045



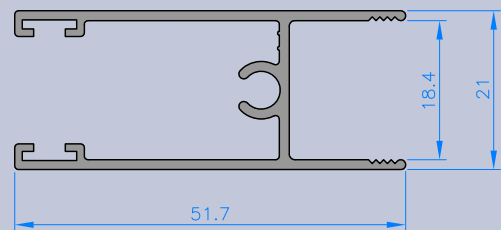
230050



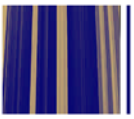
230055



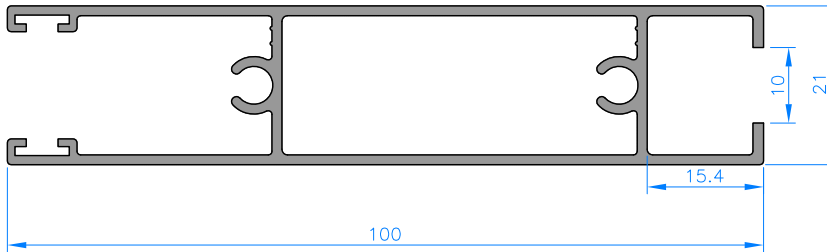
230060



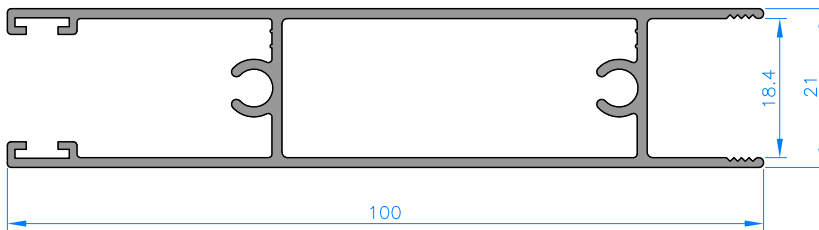
230065



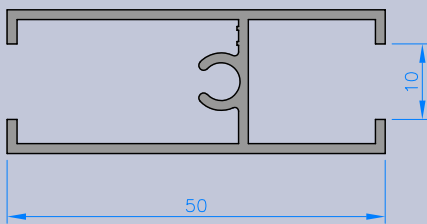
Profiles - *Perfiles*



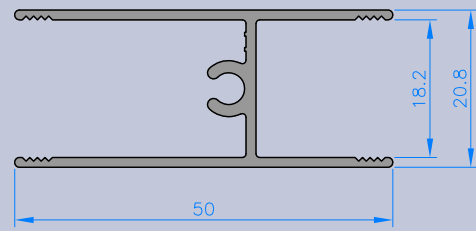
230070



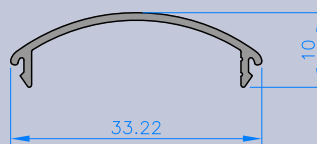
230075



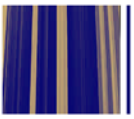
230401



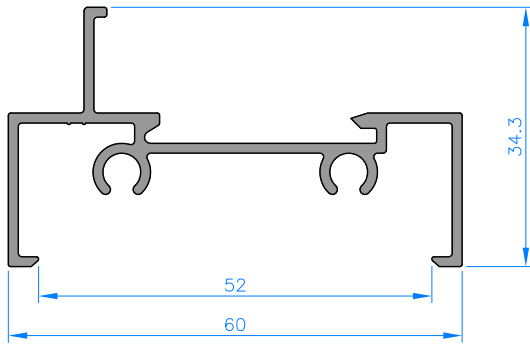
700402



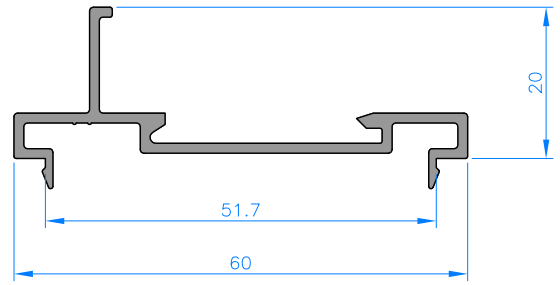
230425



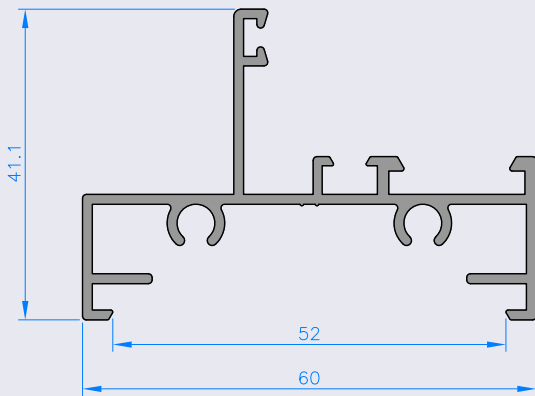
Profiles - Perfiles



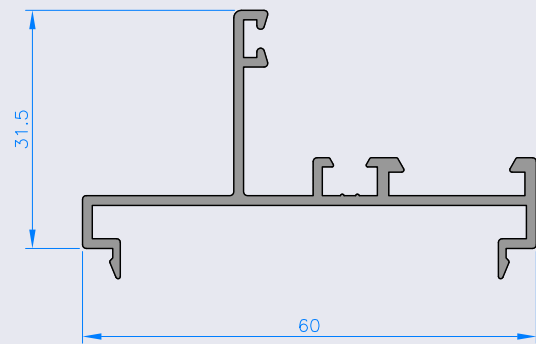
230081



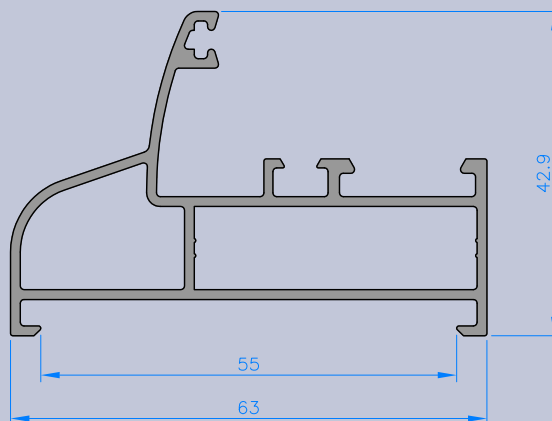
230091



230080



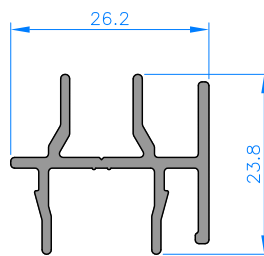
230090



230082



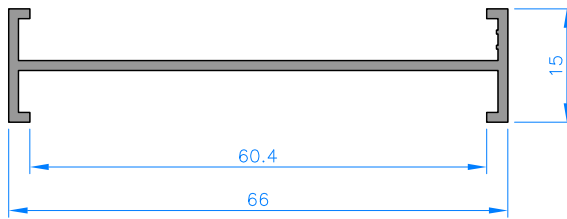
Profiles - *Perfiles*



230400



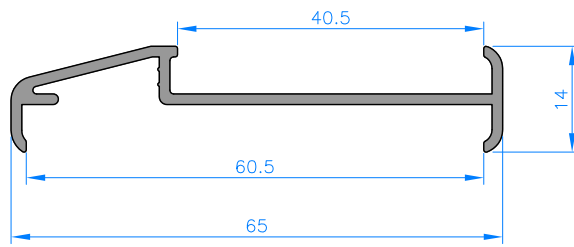
Profiles - *Perfiles*



230410



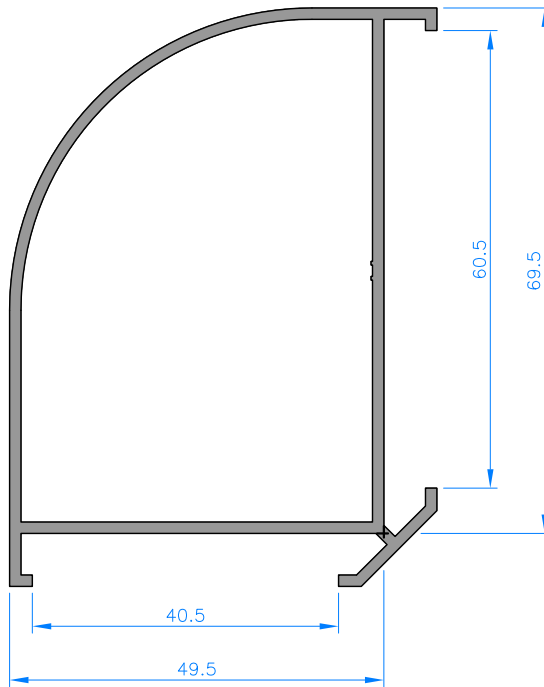
Profiles - *Perfiles*



230404



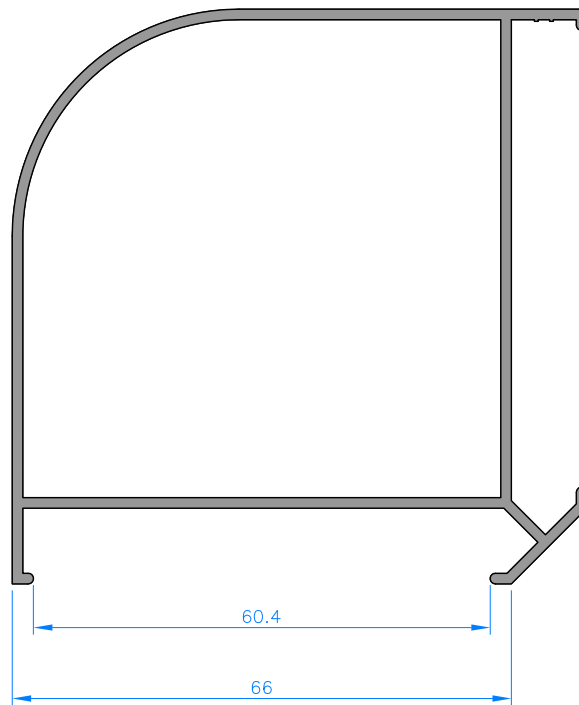
Profiles - *Perfiles*



230408



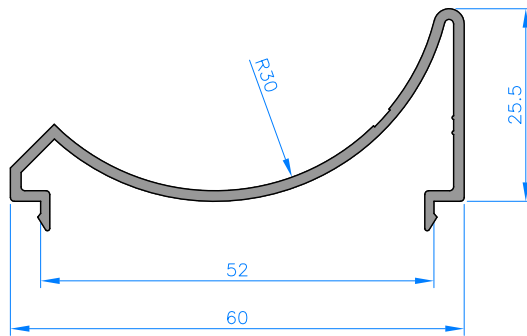
Profiles - *Perfiles*



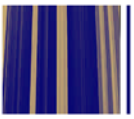
230407



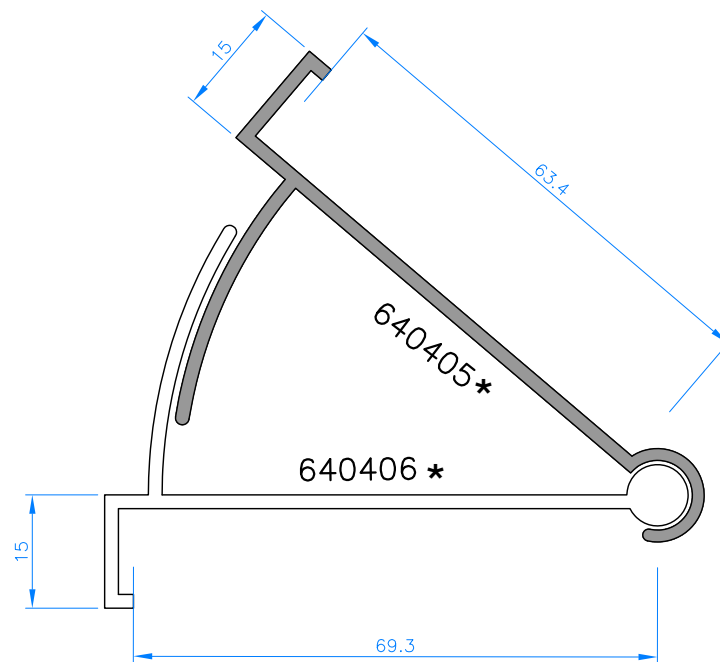
Profiles - *Perfiles*



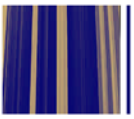
230406



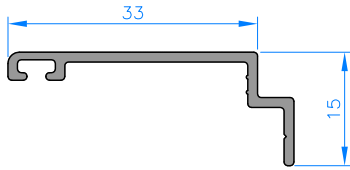
Profiles - *Perfiles*



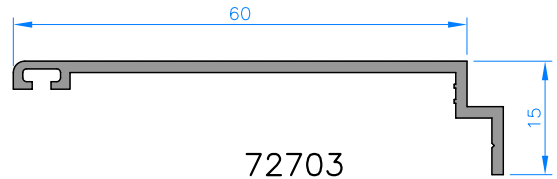
* Consultar existencias o pedido mínimo



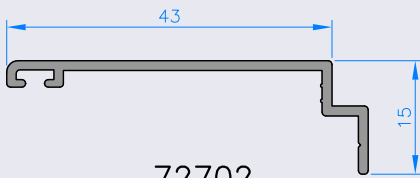
Profiles - Perfiles



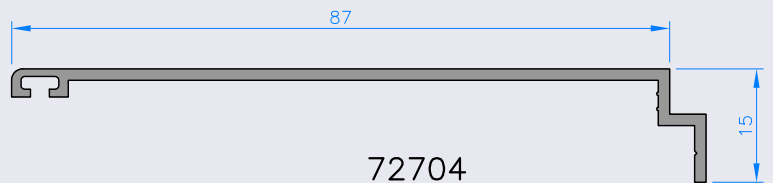
72701



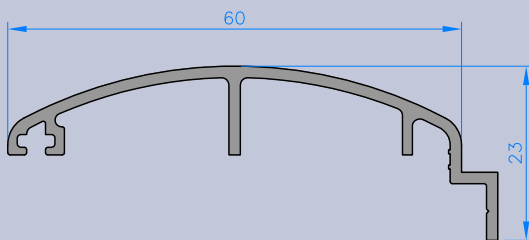
72703



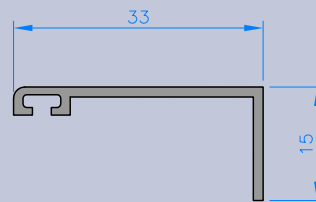
72702



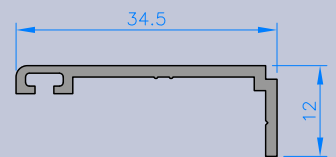
72704



72708

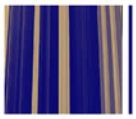


72800*

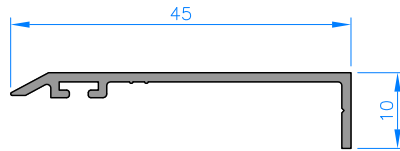


72801

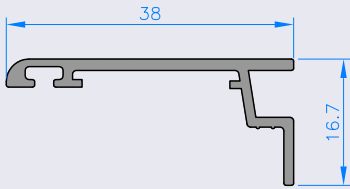
* Consultar existencias o pedido mínimo



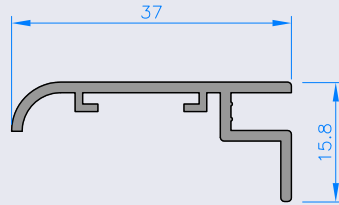
Profiles - Perfiles



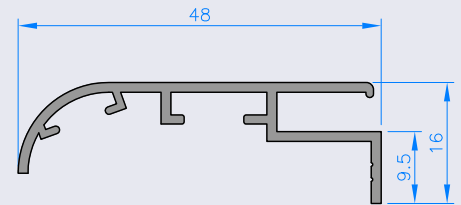
72802



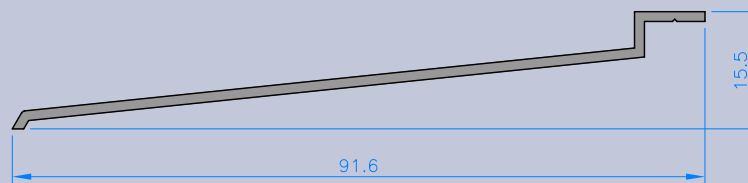
72804



72803



72481

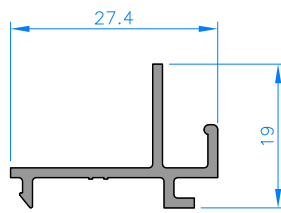


4657*

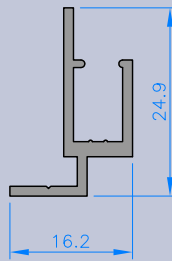
* Consultar existencias o pedido mínimo



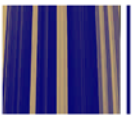
Profiles - *Perfiles*



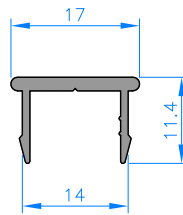
23021



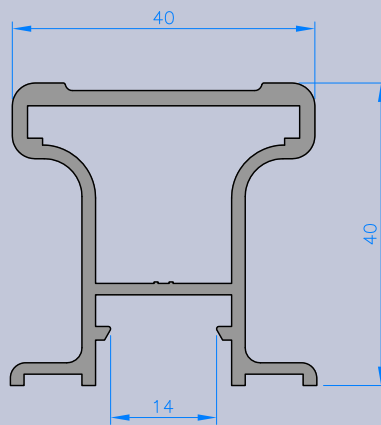
23030



Profiles - *Perfiles*



800416 *



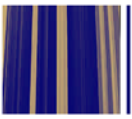
800417 *

* Consultar existencias o pedido mínimo

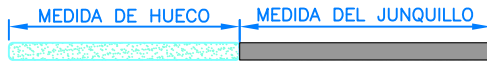


Glazing

Acristalamiento



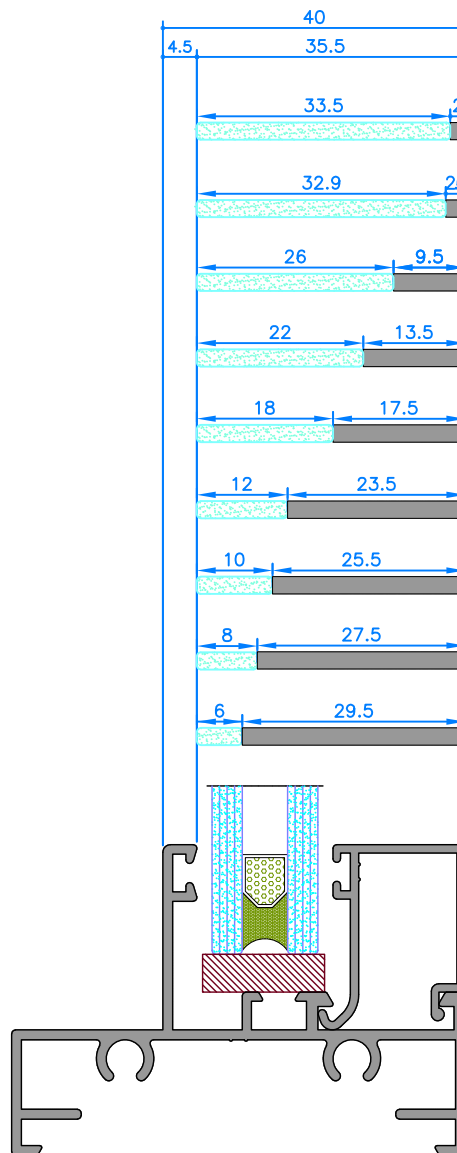
Glazing - Acristalamiento



Para calcular el vidrio:

Descontar la medida de juntas, según indicaciones del fabricante.

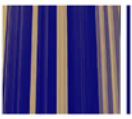
| | | |
|---------|--|--|
| 9998216 | | 3 MM FIN EXT. GLAZING JOINT JUNTA ACRISTALAMIENTO EXTERIOR DE 3 MM. |
| 9998226 | | 6 MM FIN EXT. GLAZING JOINT JUNTA ACRISTALAMIENTO EXTERIOR DE 6 MM. |
| 9998236 | | 3 MM FIN INT. GLAZING JOINT JUNTA ACRISTALAMIENTO DE CUÑA DE 3 MM. |
| 9998246 | | 4 MM FIN INT. GLAZING JOINT JUNTA ACRISTALAMIENTO DE CUÑA DE 4 MM. |
| 9998256 | | 5 MM FIN INT. GLAZING JOINT JUNTA ACRISTALAMIENTO DE CUÑA DE 5 MM. |
| 9998266 | | 6/7 MM FIN INT. GLAZING JOINT JUNTA ACRISTALAMIENTO DE CUÑA DE 6/7 MM. |
| 9998286 | | 8/9 MM FIN INT. GLAZING JOINT JUNTA ACRISTALAMIENTO DE CUÑA DE 8/9 MM. |
| 9998296 | | 10 MM FIN INT. GLAZING JOINT JUNTA ACRISTALAMIENTO DE CUÑA DE 10 MM. |



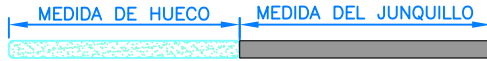
| | | |
|--------|--------|--------|
| | | |
| 102308 | | |
| | | |
| | 940305 | |
| | | |
| 940304 | 940314 | 940324 |
| | | |
| 940303 | 940313 | 940323 |
| | | |
| 940302 | 940312 | 940322 |
| | | |
| 940301 | 940311 | 940321 |
| | | |
| 940306 | | |
| | | |
| 850307 | | |
| | | |
| 940300 | 940310 | 940320 |

GLASS MEASURES DEPENDING ON THE OPENING TYPE

U-) @ ° o) - t@k@) -h-V) @V) \) - Ou@ \) - ° h-kuyk°

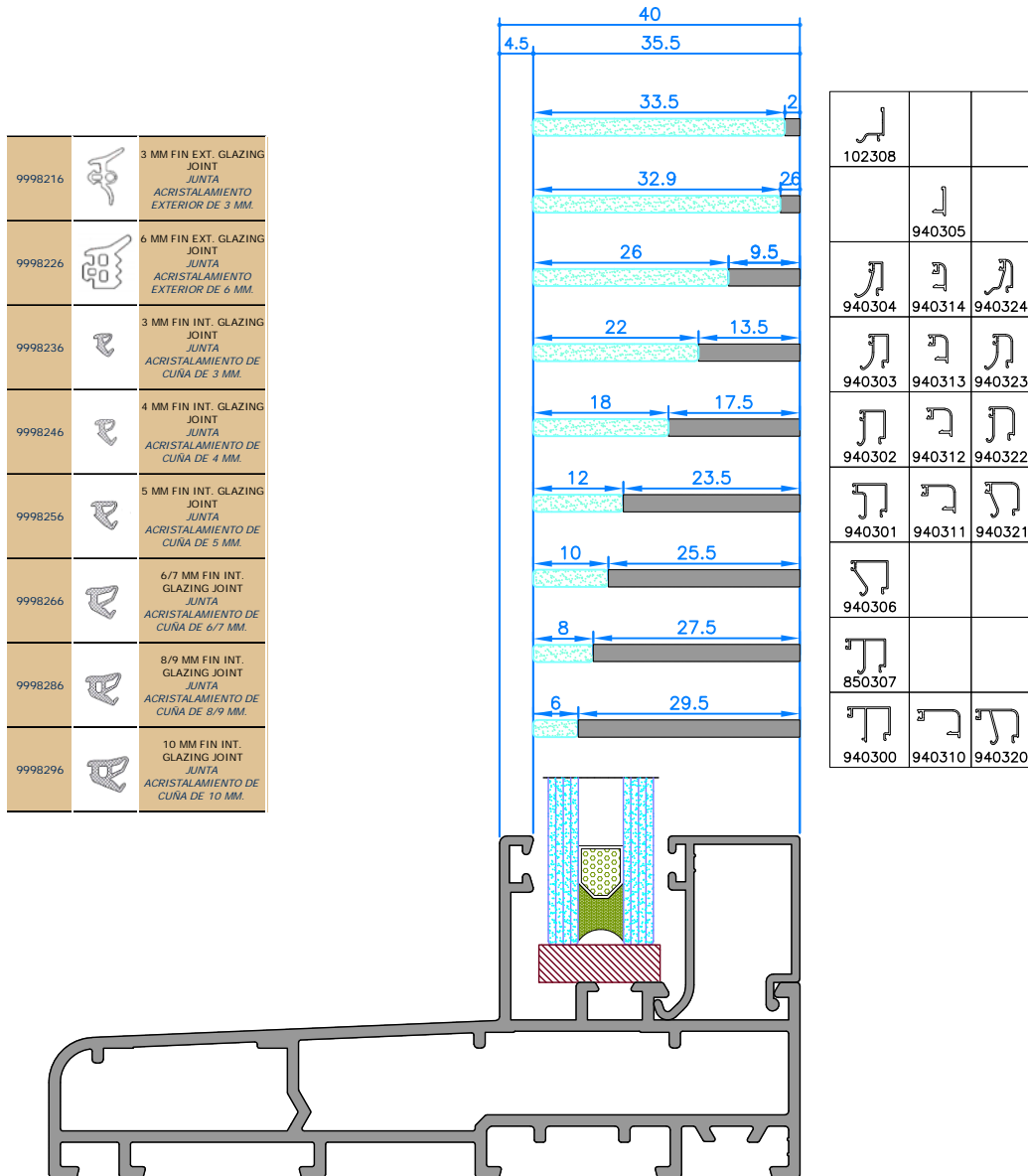


Glazing - Acristalamiento



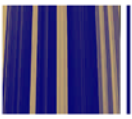
Para calcular el vidrio:

Descontar la medida de juntas, según indicaciones del fabricante.

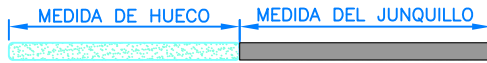


GLASS MEASURES DEPENDING ON THE OPENING TYPE

U-) @ ° o) - t@k@) -h-V) @V) \) - Ou@ \) - ° h-kuyk°



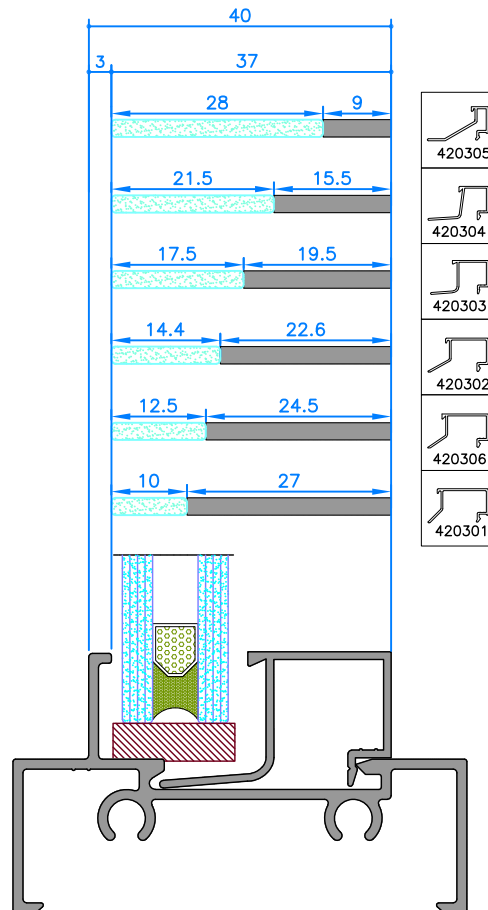
Glazing - Acristalamiento



Para calcular el vidrio:

Descontar la medida de juntas, según indicaciones del fabricante.

| | | |
|---------|--|--|
| 9998216 | | 3 MM FIN EXT. GLAZING JOINT JUNTA ACRISTALAMIENTO EXTERIOR DE 3 MM. |
| 9998226 | | 6 MM FIN EXT. GLAZING JOINT JUNTA ACRISTALAMIENTO EXTERIOR DE 6 MM. |
| 9998236 | | 3 MM FIN INT. GLAZING JOINT JUNTA ACRISTALAMIENTO DE CUÑA DE 3 MM. |
| 9998246 | | 4 MM FIN INT. GLAZING JOINT JUNTA ACRISTALAMIENTO DE CUÑA DE 4 MM. |
| 9998256 | | 5 MM FIN INT. GLAZING JOINT JUNTA ACRISTALAMIENTO DE CUÑA DE 5 MM. |
| 9998266 | | 6/7 MM FIN INT. GLAZING JOINT JUNTA ACRISTALAMIENTO DE CUÑA DE 6/7 MM. |
| 9998286 | | 8/9 MM FIN INT. GLAZING JOINT JUNTA ACRISTALAMIENTO DE CUÑA DE 8/9 MM. |
| 9998296 | | 10 MM FIN INT. GLAZING JOINT JUNTA ACRISTALAMIENTO DE CUÑA DE 10 MM. |



GLASS MEASURES DEPENDING ON THE OPENING TYPE

U-) @ ° o) - t@k@) -h-V) @V) \) - Ou@ \) - ° h-kuyk°



Technical Data

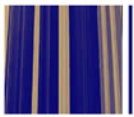
Datos técnicos



Technical Data - *Datos técnicos*

| Reference <i>Referencia</i> | Scheme <i>Esquema</i> | Description <i>Descripción</i> | Weight <i>Peso</i> Kg/Mts | Perimeter ext. | <i>Perimetro</i> int. | total | Faces <i>Caras</i> | Jx cm. ⁴ | Jy cm. ⁴ |
|--------------------------------|--------------------------|--|------------------------------|-------------------|--------------------------|-------|-----------------------|------------------------|------------------------|
| 23021 | | INF. PROFILE FOR SHUTTER REGISTRATION <i>PERFIL INFERIOR PARA REGISTRO PERSIANA</i> | 0,204 | 11,7 | --- | 11,7 | 1 | 0,12 | 0,49 |
| 23030 | | INF. PROFILE FOR SHUTTER REGISTRATION <i>PERFIL INFERIOR PARA REGISTRO PERSIANA</i> | 0,204 | 11,1 | --- | 11,1 | 1 | 0,11 | 0,35 |
| 230010 | | SUPERIOR FRAME <i>MARCO SUPERIOR</i> | 0,816 | 46,5 | --- | 46,5 | 2 | 2,70 | 11,70 |
| 230011 | | SUPERIOR FRAME <i>MARCO SUPERIOR</i> | 0,789 | 43,1 | --- | 43,1 | 2 | 2,76 | 11,50 |
| 230012 | | SUPERIOR FRAME <i>MARCO SUPERIOR</i> | 0,741 | 40,2 | --- | 40,2 | 2 | 2,64 | 11,46 |
| 230013 | | SUPERIOR FRAME <i>MARCO SUPERIOR</i> | 0,804 | 43,7 | --- | 43,7 | 2 | 3,05 | 11,51 |
| 230014* | | SUPERIOR FRAME <i>MARCO SUPERIOR</i> | 0,772 | 41,2 | --- | 41,2 | 2 | 2,71 | 12,33 |
| 230020 | | INFERIOR FRAME <i>MARCO INFERIOR</i> | 0,826 | 32,0 | 12,0 | 49,0 | 2 | 2,26 | 11,34 |
| 230021 | | INFERIOR FRAME <i>MARCO INFERIOR</i> | 0,853 | 33,1 | 13,0 | 46,1 | 2 | 2,80 | 11,29 |
| 230022 | | INFERIOR FRAME <i>MARCO INFERIOR</i> | 0,776 | 31,3 | 13,1 | 44,4 | 2 | 2,50 | 10,55 |
| 230023* | | INFERIOR FRAME <i>MARCO INFERIOR</i> | 0,728 | 35,5 | --- | 35,5 | 2 | 2,21 | 10,45 |

* Consultar existencias o pedido mínimo



Technical Data - *Datos técnicos*

| Reference <i>Referencia</i> | Scheme <i>Esquema</i> | Description <i>Descripción</i> | Weight <i>Peso</i> Kg/Mts | Perimeter <i>Perimetro</i> ext. | int. | total | Faces <i>Caras</i> | Jx cm. ⁴ | Jy c. ⁴ |
|--------------------------------|--------------------------|---|------------------------------|------------------------------------|------|-------|-----------------------|------------------------|-----------------------|
| 230030 | | LATERAL FRAME <i>MARCO LATERAL</i> | 0,667 | 36,4 | --- | 36,4 | 2 | 1,26 | 10,88 |
| 230031 | | LATERAL FRAME <i>MARCO LATERAL</i> | 0,761 | 41,1 | --- | 41,1 | 2 | 1,65 | 12,62 |
| 230032 | | LATERAL FRAME <i>MARCO LATERAL</i> | 0,649 | 37,0 | --- | 37,0 | 2 | 1,27 | 11,33 |
| 230033 | | LATERAL FRAME <i>MARCO LATERAL</i> | 0,668 | 36,8 | --- | 36,8 | 2 | 1,18 | 13,25 |
| 230040 | | LATERAL SASH NORMAL GLAZING <i>HOJA LATERAL CRISTAL SENCILLO</i> | 0,601 | 26,0 | 8,6 | 34,5 | 2 | 2,20 | 5,55 |
| 230045 | | LATERAL SASH CHAMBERED GLAZING <i>HOJA LATERAL CRISTAL CÁMARA</i> | 0,571 | 24,3 | 8,6 | 32,9 | 2 | 2,15 | 4,79 |
| 230050 | | CENTRAL SASH NORMAL GLAZING <i>HOJA CENTRAL CRISTAL SENCILLO</i> | 0,579 | 22,4 | 10,5 | 32,9 | 2 | 2,38 | 4,49 |
| 230055 | | CENTRAL SASH CHAMBERED GLAZING <i>HOJA CENTRAL CRISTAL CÁMARA</i> | 0,550 | 20,7 | 10,5 | 31,2 | 2 | 2,32 | 3,86 |
| 230060 | | ROLLERS SASH NORMAL GLAZING <i>HOJA RUEDAS CRISTAL SENCILLO</i> | 0,535 | 30,8 | --- | 30,8 | 2 | 1,52 | 4,51 |
| 230065 | | ROLLERS SASH CHAMBERED GLAZING <i>HOJA RUEDAS CRISTAL CÁMARA</i> | 0,501 | 29,5 | --- | 29,5 | 2 | 1,45 | 3,76 |
| 230070 | | SKIRTING BOARD NORMAL GLAZING <i>ZOCALO CRISTAL SENCILLO</i> | 1,029 | 40,5 | 15,0 | 55,5 | 2 | 2,94 | 33,16 |
| 230075 | | SKIRTING BOARD CHAMBERED GLAZING <i>ZOCALO CRISTAL CÁMARA</i> | 0,992 | 39,2 | 15,0 | 54,1 | 2 | 2,86 | 30,03 |

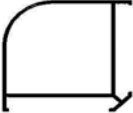



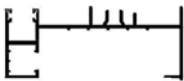
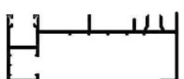
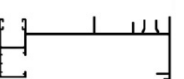
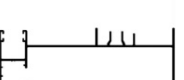


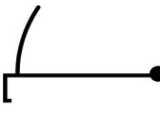
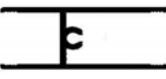


Technical Data - *Datos técnicos*

| Reference <i>Referencia</i> | Scheme <i>Esquema</i> | Description <i>Descripción</i> | Weight <i>Peso</i> Kg/Mts | Perimeter <i>Perimetro</i> ext. | int. | total | Faces <i>Caras</i> | Jx cm. ⁴ | Jy c. ⁴ |
|--------------------------------|--------------------------|---|------------------------------|------------------------------------|------|-------|-----------------------|------------------------|-----------------------|
| 230080 | | FIXED FRAME WITHOUT CLIP <i>MARCO FIJO SIN CLIP</i> | 0,674 | 37,0 | --- | 37,0 | 2 | 1,95 | 9,59 |
| 230081 | | FIXED FRAME WITHOUT CLIP <i>MARCO FIJO SIN CLIP</i> | 0,572 | 31,0 | --- | 31,0 | 2 | 0,91 | 9,14 |
| 230082 | | MARCO FIJO PERIMETRAL | 0,824 | 28,1 | 16,6 | 44,7 | 2 | 3,21 | 11,47 |
| 230090 | | FIXED FRAME WITH CLIP <i>MARCO FIJO CON CLIP</i> | 0,495 | 28,0 | --- | 28,0 | 2 | 1,10 | 6,17 |
| 230091 | | FIXED FRAME WITH CLIP <i>MARCO FIJO CON CLIP</i> | 0,403 | 22,4 | --- | 22,4 | 2 | 0,28 | 5,84 |
| 230310 | | SUPERIOR FRAME 3 WAYS <i>MARCO SUPERIOR 3 CARRILES</i> | 1,413 | 61,5 | 5,3 | 66,4 | 2 | 4,79 | 46,80 |
| 230320 | | INFERIOR FRAME 3 WAYS <i>MARCO INFERIOR 3 CARRILES</i> | 1,548 | 47,0 | 27,7 | 74,7 | 2 | 4,77 | 47,71 |
| 230330 | | LATERAL FRAME 3 WAYS <i>MARCO LATERAL 3 CARRILES</i> | 1,063 | 52,6 | --- | 52,6 | 2 | 1,96 | 44,50 |
| 230400 | | 4 SASH PROFILE <i>PERFIL 4 HOJAS</i> | 0,341 | 18,3 | --- | 18,3 | 1 | 0,39 | 0,84 |
| 230401 | | MULLION <i>PARTELUCES</i> | 0,496 | 28,2 | --- | 28,2 | 2 | 1,15 | 3,78 |
| 230404 | | 60x40 FLAG PROFILE <i>PERFIL BANDERA 60x40</i> | 0,373 | 19,4 | --- | 19,4 | 3 | 0,11 | 6,83 |
| 230406 | | ADJUSTABLE CORNER <i>ESQUINERO REGULABLE</i> | 0,440 | 23,7 | --- | 23,7 | 2 | 0,61 | 7,82 |



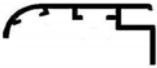

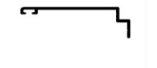
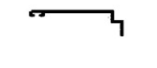
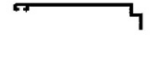



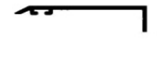



Technical Data - *Datos técnicos*

| Reference <i>Referencia</i> | Scheme <i>Esquema</i> | Description <i>Descripción</i> | Weight <i>Peso</i> Kg/Mts | Perimeter <i>Perimetro</i> ext. | Perimeter int. | Perimeter total | Faces <i>Caras</i> | Jx cm. ⁴ | Jy cm. ⁴ |
|--------------------------------|---|--|------------------------------|------------------------------------|-------------------|--------------------|-----------------------|------------------------|------------------------|
| 230407 |  | 90° CORNER <i>ESQUINERO 90°</i> | 1,112 | 34,4 | 24,1 | 58,5 | 3 | 28,05 | 32,99 |
| 230408 |  | HINGED-SLIDER CORNER <i>ESQUINERO CORREDERA-ABISAGRADA</i> | 0,962 | 29,7 | 21,0 | 50,8 | 3 | 14,09 | 25,88 |
| 230410 |  | FRAMES JOINT <i>UNION DE MARCOS</i> | 0,351 | 20,2 | --- | 20,2 | 2 | 0,11 | 7,61 |
| 230425 |  | LATERAL FRAME CAP <i>TAPA PARA MARCO LATERAL 230031</i> | 0,123 | 9,1 | --- | 9,1 | 1 | 0,03 | 0,55 |
| 231231 |  | LATERAL FRAME MONOBLOCK 120 mm. <i>MARCO LATERAL MONOBLOCK 120 mm.</i> | 1,422 | 73,1 | --- | 73,1 | 2 | 12,23 | 99,72 |
| 231232 |  | LATERAL FRAME MONOBLOCK 120 mm. <i>MARCO LATERAL MONOBLOCK 120 mm.</i> | 1,422 | 73,1 | --- | 73,1 | 2 | 12,12 | 106,14 |
| 231431* |  | LATERAL FRAME MONOBLOCK 140 mm. <i>MARCO LATERAL MONOBLOCK 140 mm.</i> | 1,495 | 76,5 | --- | 76,5 | 2 | 12,56 | 155,45 |
| 231432* |  | LATERAL FRAME MONOBLOCK 140 mm. <i>MARCO LATERAL MONOBLOCK 140 mm.</i> | 1,495 | 76,5 | --- | 76,5 | 2 | 12,65 | 147,22 |
| 4657* |  | EXTENSION PROFILE <i>PERFIL ALARGADERA</i> | 0,344 | 19,7 | --- | 19,7 | 1 | 0,02 | 9,42 |
| 640405* |  | ADJUSTABLE CORNER FEMALE <i>ESQUINERO REGULABLE HEMBRA</i> | 0,678 | 28,1 | --- | 28,1 | 2 | 2,52 | 16,38 |
| 640406* |  | ADJUSTABLE CORNER MALE <i>ESQUINERO REGULABLE MACHO</i> | 0,726 | 26,7 | --- | 26,7 | 2 | 2,79 | 19,93 |
| 700402 |  | MULLION FOR CHAMBER GLASS <i>DIVISOR CRISTAL CÁMARA</i> | 0,454 | 26,1 | --- | 26,1 | 2 | 1,28 | 2,56 |

* Consultar existencias o pedido mínimo



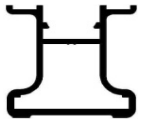
Technical Data - *Datos técnicos*

| Reference <i>Referencia</i> | Scheme <i>Esquema</i> | Description <i>Descripción</i> | Weight <i>Peso</i> Kg/Mts | Perimeter <i>Perimetro</i> ext. | int. | total | Faces <i>Caras</i> | Jx cm. ⁴ | Jy cm. ⁴ |
|--------------------------------|---|---|------------------------------|------------------------------------|------|-------|-----------------------|------------------------|------------------------|
| 72481 |  | 47 mm CURVED OVERLAP <i>SOLAPE CURVO DE 47 mm</i> | 0,336 | --- | --- | 19,7 | 2 | 0,17 | 2,83 |
| 72701 |  | 33 mm OVERLAP <i>SOLAPE DE 33 mm</i> | 0,199 | --- | --- | 11,7 | 1 | 0,06 | 1,20 |
| 72702 |  | 43 mm OVERLAP <i>SOLAPE DE 43 mm</i> | 0,234 | --- | --- | 13,7 | 1 | 0,07 | 2,23 |
| 72703 |  | 60 mm OVERLAP <i>SOLAPE DE 60 mm</i> | 0,333 | --- | --- | 17,4 | 1 | 0,10 | 5,48 |
| 72704 |  | 87 mm OVERLAP <i>SOLAPE DE 87 mm</i> | 0,443 | --- | --- | 22,8 | 1 | 0,11 | 14,14 |
| 72708 |  | 60 mm CURVED OVERLAP <i>SOLAPE CURVO DE 60 mm</i> | 0,428 | --- | --- | 21,4 | 1 | 0,36 | 6,73 |
| 72800* |  | 33 mm SUPERIOR OVERLAP <i>SOLAPE SUPERIOR 33 mm</i> | 0,200 | --- | --- | 10,9 | 1 | 0,07 | 0,92 |
| 72801 |  | 33 mm OVERLAP <i>SOLAPE DE 33 mm</i> | 0,197 | --- | --- | 10,7 | 1 | 0,05 | 0,99 |
| 72802 |  | 45 mm OVERLAP <i>SOLAPE DE 45 mm</i> | 0,195 | --- | --- | 12,3 | 1 | 0,03 | 1,52 |
| 72803 |  | 37 mm OVERLAP <i>SOLAPE DE 37 mm</i> | 0,259 | --- | --- | 14,4 | 1 | 0,11 | 1,31 |
| 72804 |  | 38 mm OVERLAP <i>SOLAPE DE 38 mm</i> | 0,251 | --- | --- | 13,6 | 1 | 0,11 | 1,47 |
| 800416* |  | REINFORCED PROFILE STAPLE <i>GRAPA PERFIL REFUERZO</i> | 0,133 | 7,4 | --- | 7,4 | --- | 0,05 | 0,15 |

* Consultar existencias o pedido mínimo



Technical Data - *Datos técnicos*

| Reference <i>Referencia</i> | Scheme <i>Esquema</i> | Description <i>Descripción</i> | Weight <i>Peso</i> Kg/Mts | Perimeter <i>Perimetro</i> | | | Faces <i>Caras</i> | Jx cm. ⁴ | Jy c. ⁴ |
|--------------------------------|---|--|------------------------------|----------------------------|------|-------|-----------------------|------------------------|-----------------------|
| | | | | ext. | int. | total | | | |
| 800417* |  | REINFORCED PROFILE <i>PERFIL REFUERZO</i> | 0,854 | 22,2 | 11,4 | 33,6 | 3 | 5,97 | 4,85 |

* Consultar existencias o pedido mínimo



o

o

